

4308

(a)

$$z = \cos \frac{\pi}{8} + i \sin \frac{\pi}{8}$$

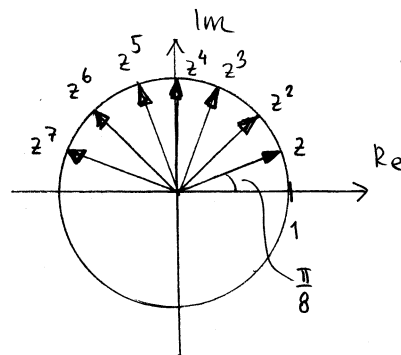
$$\frac{\pi}{8} = 22,5^\circ$$

$$z^2 = \cos \frac{2\pi}{8} + i \sin \frac{2\pi}{8}$$

de Moivre's
formel!

$$z^3 = \cos \frac{3\pi}{8} + i \sin \frac{3\pi}{8}$$

... och så vidare



(b)

$$z = \cos \left(-\frac{\pi}{8} \right) + i \sin \left(-\frac{\pi}{8} \right)$$

$$z^2 = \cos \left(-\frac{2\pi}{8} \right) + i \sin \left(-\frac{2\pi}{8} \right)$$

$$z^3 = \cos \left(-\frac{3\pi}{8} \right) + i \sin \left(-\frac{3\pi}{8} \right)$$

... och så vidare.

